

Thank you for purchasing a Morepork Outdoor Fireplace! We hope you get many years of enjoyment from your fireplace. Please take the time to read this document carefully as it contains important information on assembling your fireplace, fireplace curing and fireplace health and safety.

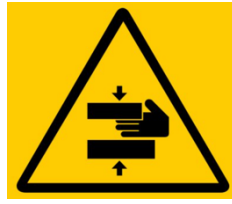
## Assembly Instructions:

### Equipment needed:



- Tape measure
- Socket
- Level
- Trowel
- Square
- Mortar (half bag)
- Mixing bucket
- Caulking gun
- Drill
- Gloves
- Dust mask
- Steel cap safety boots

# Important Safety Note!



Do not attempt to lift the larger concrete panels by yourself. The base, hearth and chimney breast panels all weigh approximately 100 kgs each. We recommend having 3-4 people available to lift and install these pieces. Use correct lifting techniques and watch out for pinch points. Do not leave unbolted panels unattended. Always have one person holding panels until fixings are installed. Use a dust mask and gloves when mixing mortar. Mortar contains cement which is corrosive and can damage your skin and lungs

## Tips to avoid damage:

Our fireplaces are made to last, all panels are reinforced and made with a high strength mix. However, damage can occur if the panels are handled incorrectly during installation. Please follow these tips to avoid damage

- Do not drop panels onto any hard surfaces, instead place them carefully
- Avoid dragging panels on their edges as this can cause chipping
- Do not overtighten bolts. A small nip up (half turn) is all that is required. Over tightening may cause panels to crack
- When unpacking, keep panels off grass and dirt as these can cause staining which is hard to remove later (especially on white fires)
- When unpacking, place timber underneath panels as this will make them easier and safer to pick up again when building the fireplace
- Have multiple people available to help when lifting the heavier panels. This will make installation easier and safer, while also lessening the chance of anything being accidentally dropped and damaged
- When building the firebox, have someone hold pieces in place until the bolts are done up. Do not leave unbolted pieces unattended

# Building Instructions:

## Step 1:

Position your ground panel (if included). Ensure the surface is flat, level, compacted and clean of debris

\*Ground and Hearth panels are identical, if you have two in your kitset, either one can be used for the ground panel (they measure 1280mm x 690mm). If you have not purchased a ground panel, we recommend building your fireplace on a flat and level concrete pad.

\*If you have purchased a double base fire with ground panels, position ground panels next to each other with side edges touching

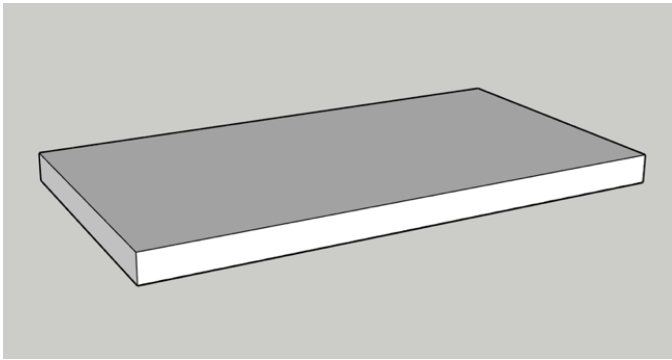
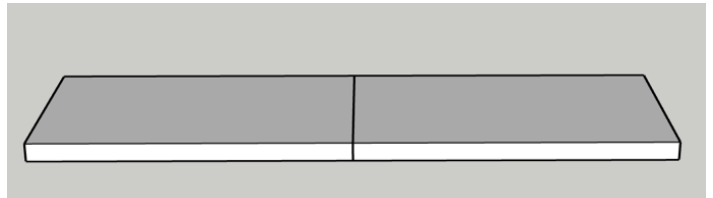


Figure 1: Single base fire layout



Double base fire layout

## Step 2:

Position the base back panel. If using a ground panel, the base back panel should sit approximately 35mm in from the back edge. The rough side should face the front of the fireplace

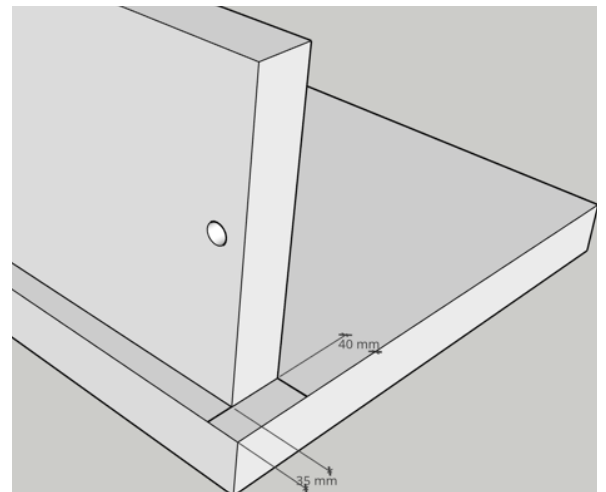
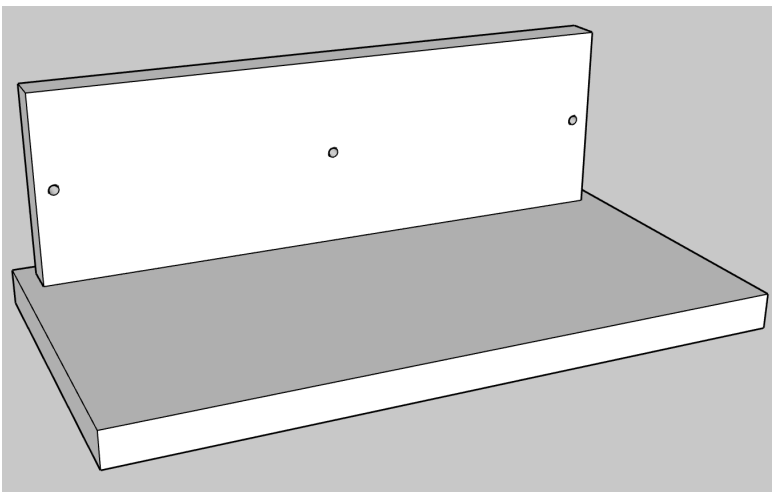


Figure 2: Single base fire layout

\*If you have purchased a double base fire, position the back panels 35mm in from the back edge and have them touching each other in the centre where the ground panels meet.

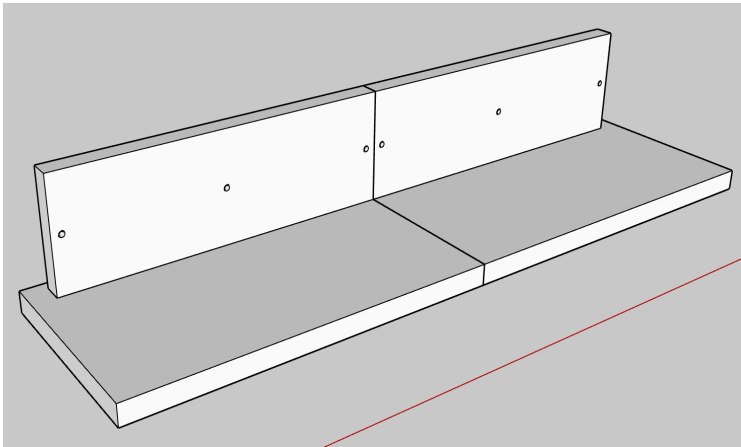
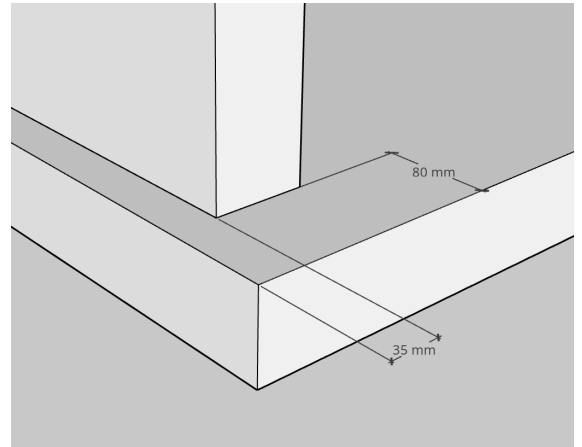


Figure 3: Double base fire layout



### Step 3:

Install the base support panels with 90mm M12 bolts and square washers. Use a square to ensure they are positioned at 90 degrees to the back panel. Use a level to check for plumb.

\*Do not over tighten bolts, a small nip up (half turn) is all that is required.

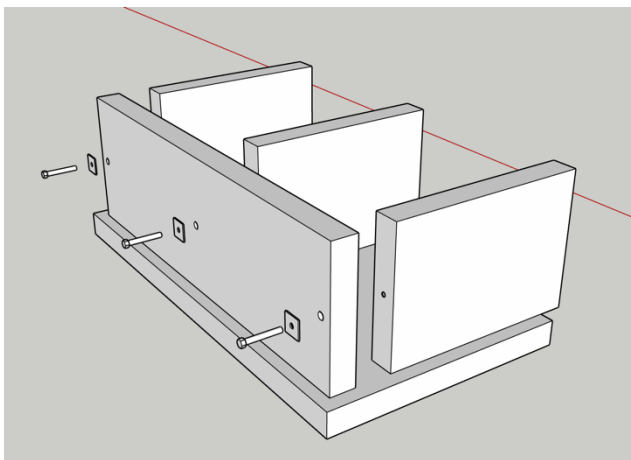


Figure 4: Single base fire layout

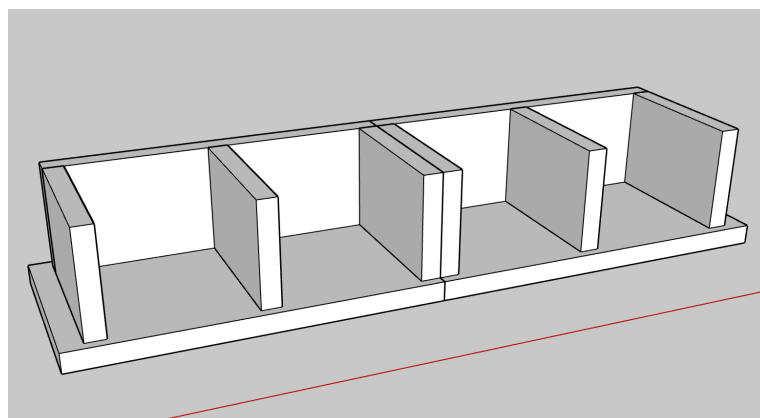
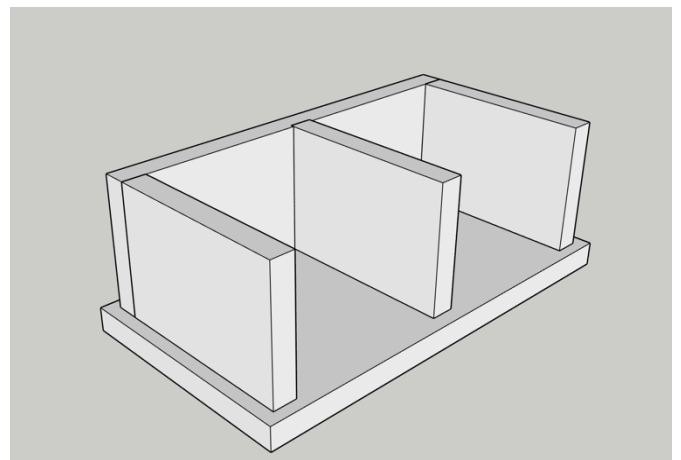


Figure 5: Double base fire layout

#### Step 4:

Position the hearth panel on top of the of the base supports. Use a tape measure to ensure you have an even overhang around the sides and back

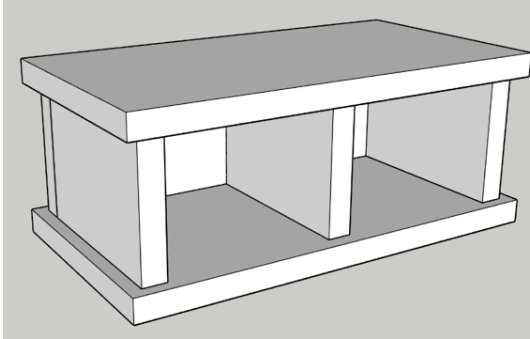
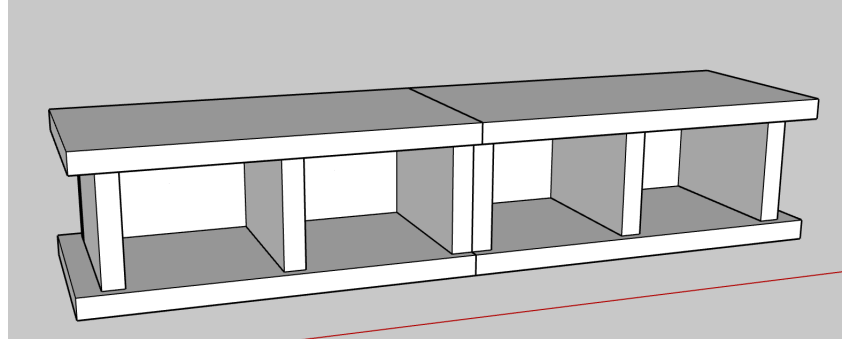


Figure 6: Single base fire layout



Double base fire layout

#### Step 5:

Position the lower fire box back panel. It should sit approximately 35mm in from the back edge of the hearth

**\*There are two firebox back panels in the kitset. The lower one has no threaded inserts cast into it**

**\*Smooth side of the panel faces the outside of the fireplace**

**\*If you have purchased a double base fire, position the back panel in the centre of where the hearth panels meet, 35mm in from the back edge**

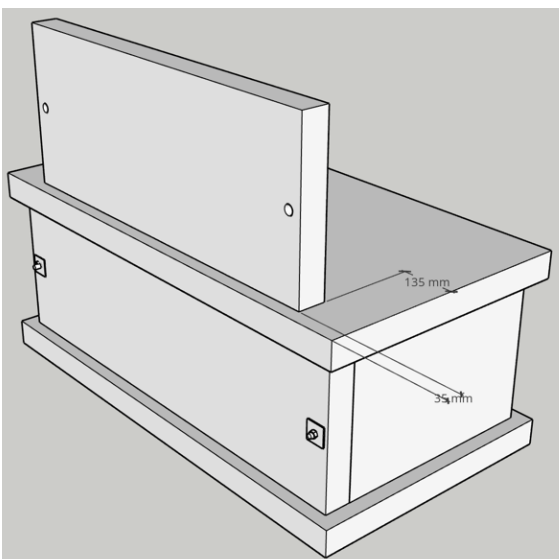
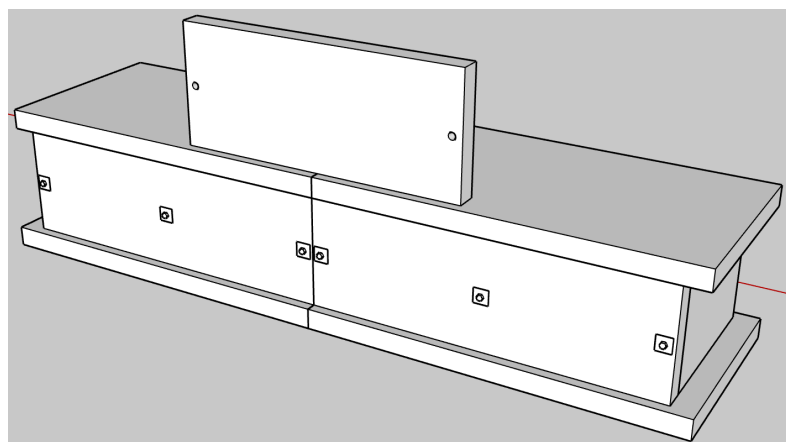


Figure 7: Single base fire layout



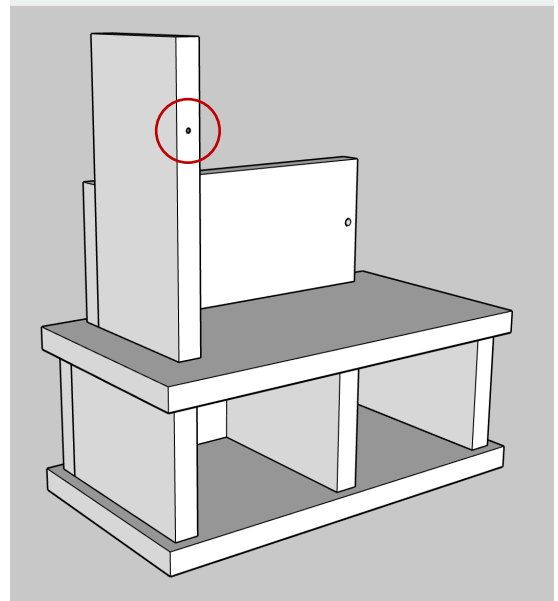
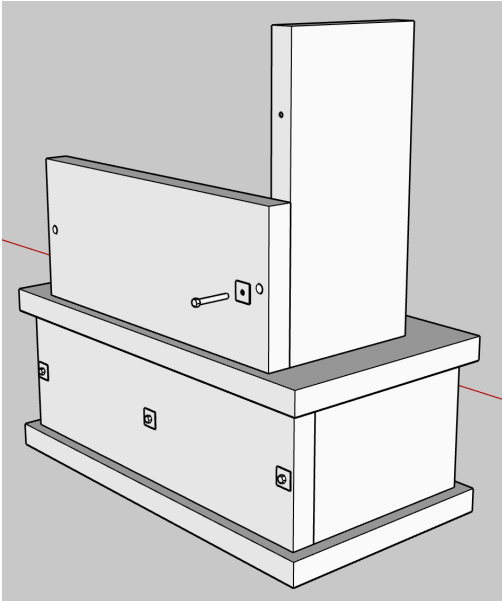
Double base fire layout

## Step 6:

\*From step 6 onwards the installation for single and double base fires is exactly the same.

Install one of the firebox side panels. These panels both have 3 threaded inserts cast into them. **Front threaded insert needs to be at the top.** This is how you determine the difference between left and right hand side panels. Use 90mm M12 bolt and square washer

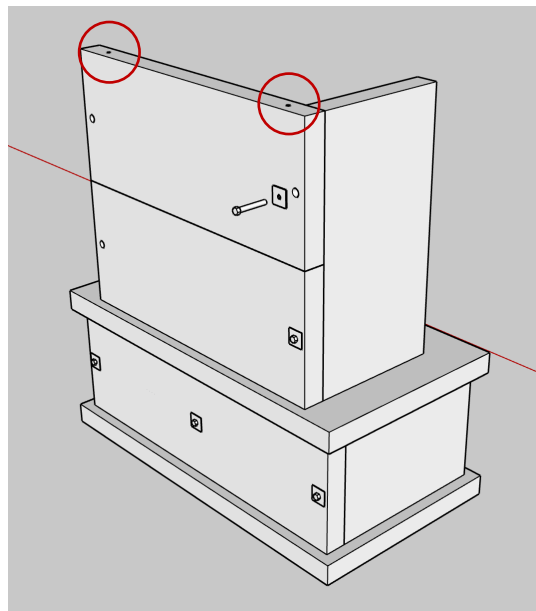
- \*Smooth side of the panel faces the outside of the fireplace
- \*Do not over tighten bolts, a small nip up (half turn) is all that is required.



## Step 7:

Install the second fire box back panel. **This panel has 2 threaded inserts cast into the top edge.** Use 90mm M12 bolt and square washer

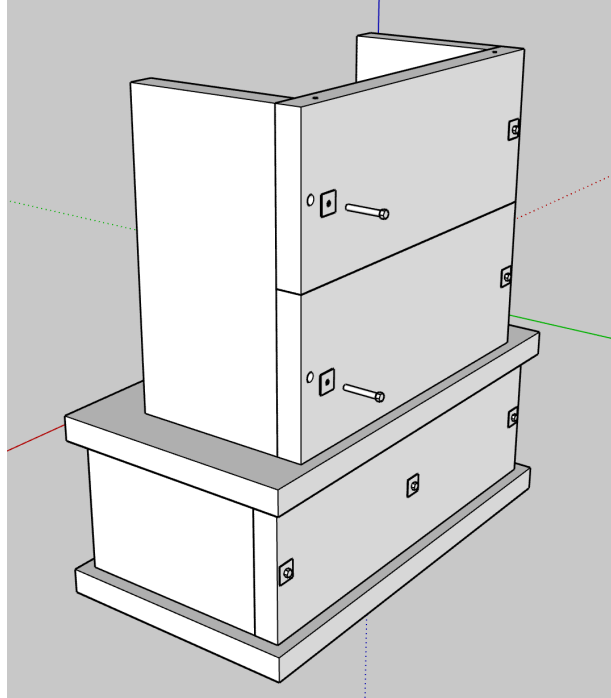
- \*Smooth side of the panel faces the outside of the fireplace
- \*Do not over tighten bolts, a small nip up (half turn) is all that is required.



### Step 8:

Install the second firebox side panel with x2 90mm M12 bolts and square washers. Use a square and level to check positioning.

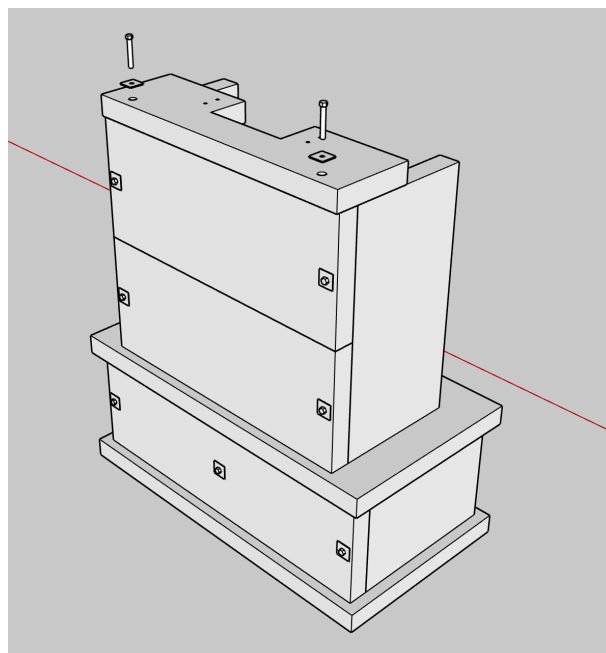
- \*Smooth side of the panel faces the outside of the fireplace
- \*Do not over tighten bolts, a small nip up (half turn) is all that is required.



### Step 9:

Install the firebox rear top panel. This panel has a cutout for the flue, threaded inserts and two holes cast into it. Use 90mm M12 bolts and square washers, **leave these loose** so that the position of this panel can be adjusted once all top panels are in place.

- \*Smooth side of the panel faces the outside of the fireplace

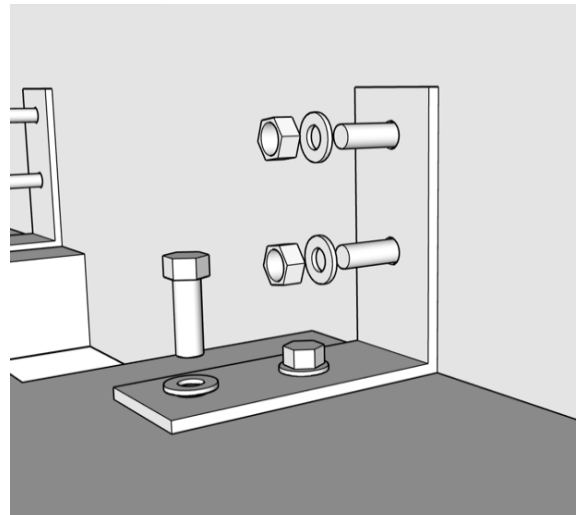
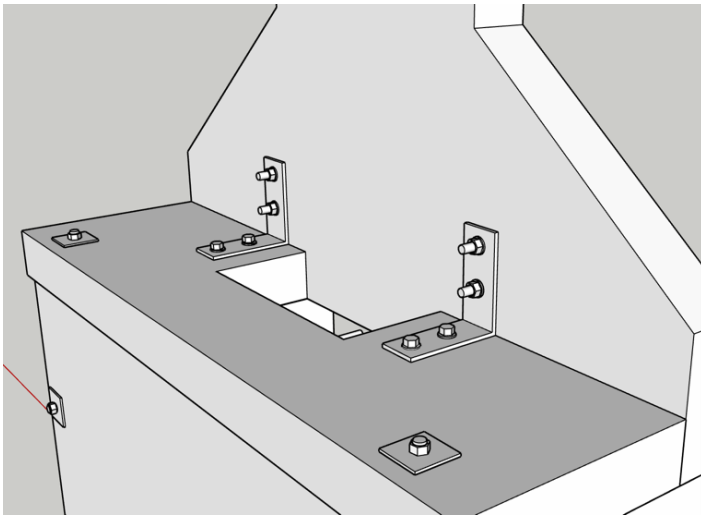


### Step 10:

Install the chimney breast panel and brackets. The chimney breast panel should be positioned with the bolts facing the back of the fireplace. Install the x2 B65 brackets to the rear of the chimney breast using x4 M10 nuts and round washers. Secure the brackets to the top panel using x4 M10 bolts and round washers.

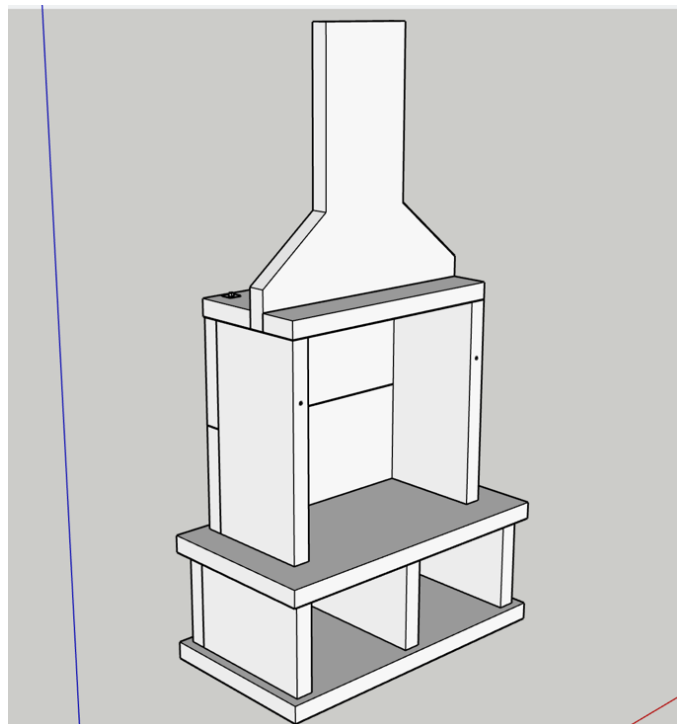
\*Do not over tighten bolts, a small nip up (half turn) is all that is required.

\* Have someone hold the chimney breast panel until the brackets are installed. Do not leave this panel sitting unbolted on top of the fireplace.



### Step 11:

Install the firebox top front panel. This panel sits in place in front of the chimney breast, no fixings.

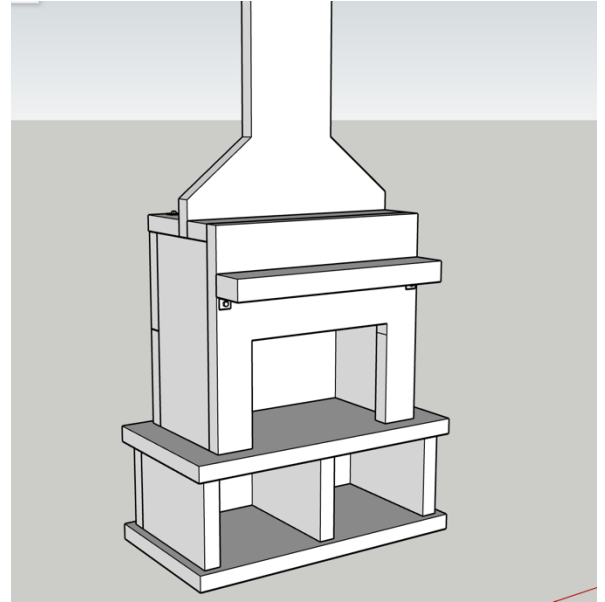
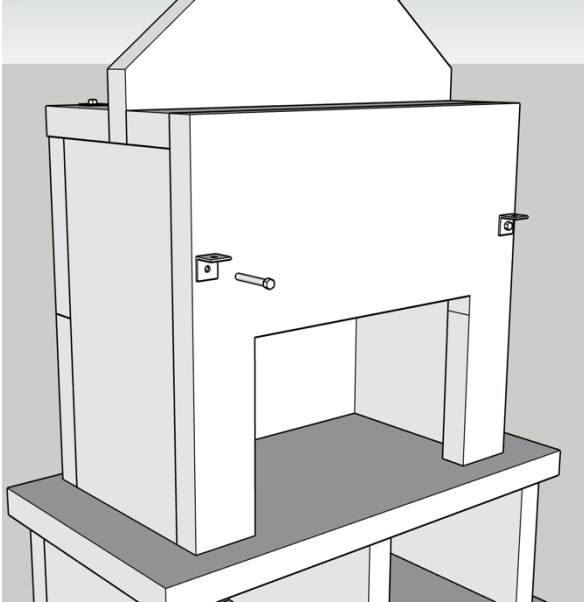


### Step 12:

Install the fire box front panel. Use 90mm M12 bolts and B50 angle brackets. Place the mantle on top of the brackets, mark holes, drill and then install mantle with 65mm coach screws. Check position of the top panels, close gaps as much as possible. Tighten rear top panel bolts.

\*Do not over tighten bolts, a small nip up (half turn) is all that is required.

\*Smooth side of the panel faces the outside of the fireplace

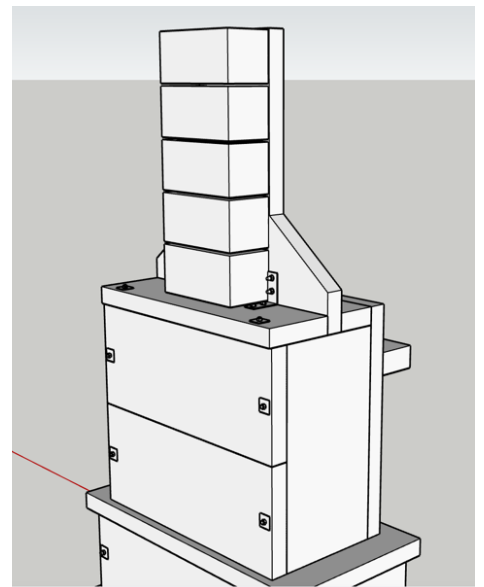
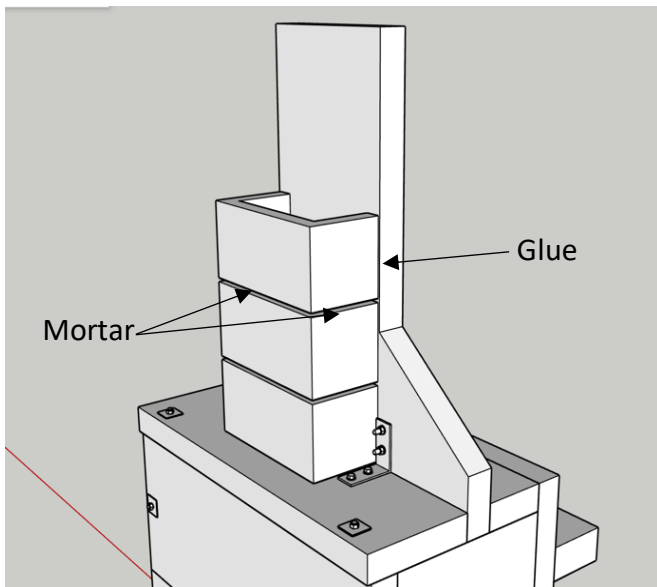


### Step 13:

Mortar and glue in the chimney bricks. Apply approximately 10mm of mortar between the horizontal surfaces of each brick. Glue the vertical surface of each brick to the back of the chimney breast using flame flex and a caulking gun (ensure bricks are dry and free of dust before gluing).

\*Use a mask and gloves when mixing mortar

\*Allow 1 tube of flame flex to install all the bricks

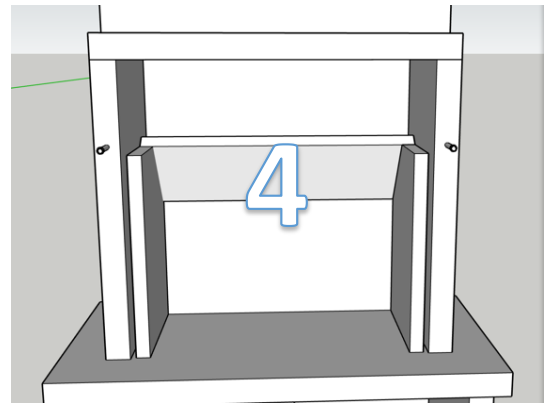
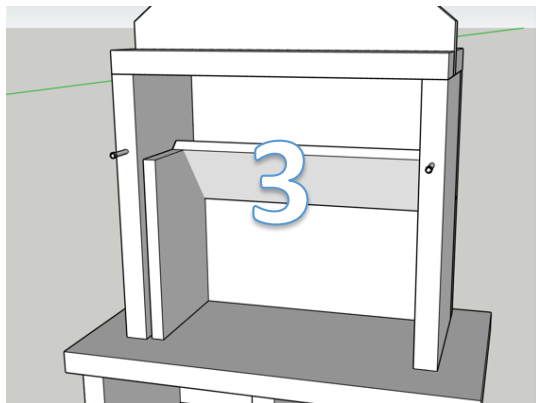
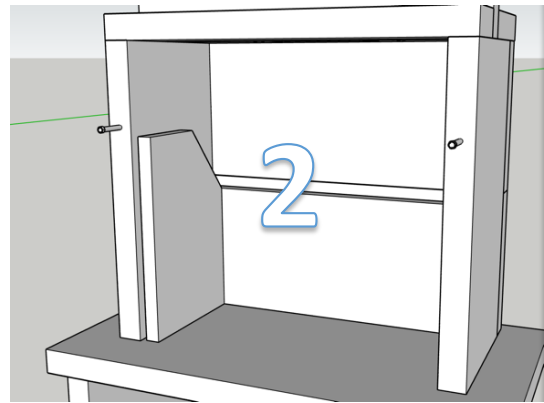
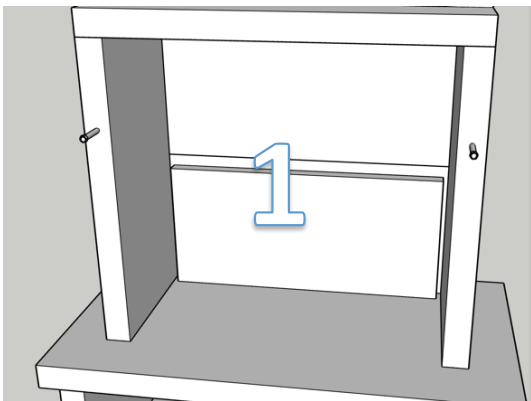


### Step 14:

**Seal the gaps inside firebox.** Use the second tube of flameflex to seal all joints between panels inside the firebox. This will prevent any smoke from escaping. Seal joints from the inside of the firebox, not the outside.

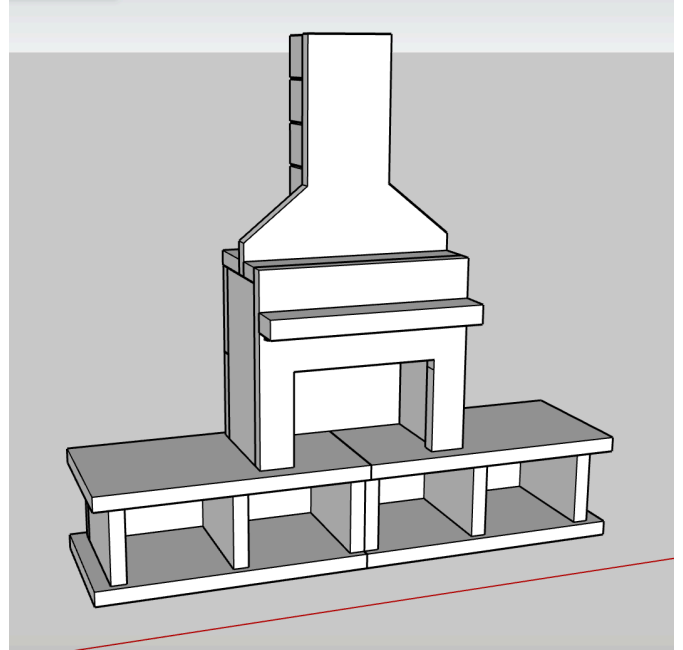
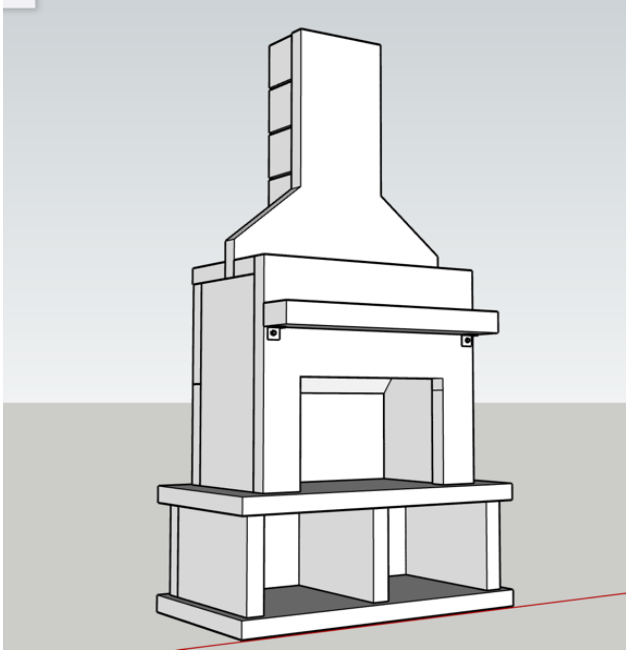
### Step 15:

Install the x 4 pumice panels inside the firebox. These panels are installed in a specific sequence and sit together (no fixings, see below). Please note, the front face of the firebox does not need to be removed to install these panels. The images below have the front removed so that it is easier to see the arrangement of the pumice panels inside the firebox.



**Step 16:**

Install fire grate. Complete!!



## Fireplace curing procedure:

\*Once your fireplace has been built, allow 1 week before lighting your first curing fire. This will give the mortar and glue time to set properly.

For the first 20 hours of use, only light small half size fires inside the firebox. **Do not crank the fire right up on initial use.** There will be water left over from the manufacturing process inside the concrete and pumice panels. Lighting small fires to begin with will slowly dry out the panels and prevent or minimize fine cracking. Hairline cracking may still occur in some areas, this is just the nature of concrete. This will not affect the structural integrity of the fireplace. All panels are reinforced.

## Getting the best from your outdoor fireplace

- Follow the fireplace curing procedure for initial use
- Always use the fire grate and pumice panels provided with the kit. These are designed to protect the fireplace
- Use dry, well-seasoned firewood
- Start your fire using the log cabin method, use small dry kindling
- Build your fire slowly, gradually increasing the size of the wood as you go. Throwing on a large piece too soon will create smoke
- Allow the pumice panels and flue to heat up slowly to create optimum draw
- Try to use smaller pieces of timber (75mm square) as they burn hotter - large pieces burn colder and create more smoke
- Do not overload the fire box
- Avoid lighting your fire on windy nights
- Never leave an outdoor fire unattended, a single spark can cause a forest fire
- Fire is dangerous, treat it with the respect it deserves.